



**Empire Comfort Systems Inc.**  
 918 Freeburg Avenue  
 Belleville, Illinois 62220-2623

Web Site [www.empirecomfort.com](http://www.empirecomfort.com)

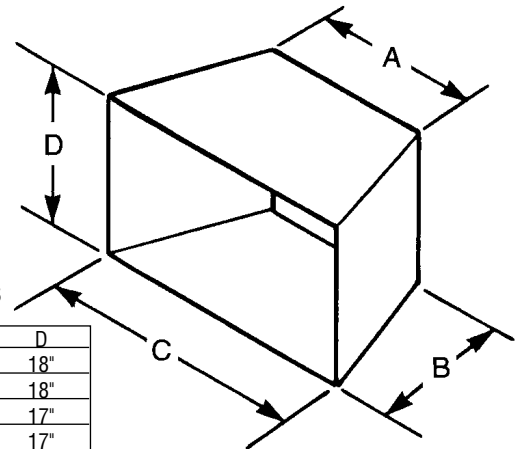
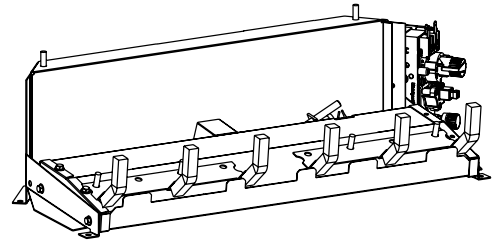
**Specifications**

Model	BTUH Max. Rate	BTUH Med. Rate	BTUH Min. Rate
VFSV-16 N/LP	25,000/22,500	—	17,500/15,750
VFSR-16 N/LP	25,000/22,500	—	17,500/15,750
VFSV-18 N/LP	32,000	—	19,000
VFSR-18 N/LP	32,000	—	22,000
VFSM-18 N/LP	32,000	27,000	22,000
VFSV-24 N/LP	36,000	—	20,000
VFSR-24 N/LP	36,000	—	25,000
VFSM-24 N/LP	36,000	27,000	22,000
VFSV-30 N/LP	38,000	—	20,000
VFSR-30 N/LP	38,000	—	26,000
VFSM-30 N/LP	38,000	27,000	22,000

VFSM - denotes manual gas valve  
 VFSR - denotes millivolt gas valve  
 VFSV - denotes variable remote (comes with variable flame height remote)

Natural Gas	Variable	Millivolt	Manual
Regulator pressure	3.5" W.C.	3.5" W.C.	6.0" W.C.
Gas inlet pressure	Max. 10.5" W.C. Min. 5.0" W.C.	Max. 10.5" W.C. Min. 5.0" W.C.	Max. 10.5" W.C. Min. 7.0" W.C.
Propane Gas	Variable	Millivolt	Manual
Regulator pressure	10.0" W.C.	10.0" W.C.	10.0" W.C.
Gas inlet pressure	Max. 13.0" W.C. Min. 11.0" W.C.	Max. 13.0" W.C. Min. 11.0" W.C.	Max. 13.0" W.C. Min. 11.0" W.C.

**White Mountain  
 Vented/Vent-Free Gas Burners  
 Models  
 VFSM-18/24/30, VFSR-16/18/24/30  
 VFSV-16/18/24/30**



**FACTORY BUILT FIREPLACES  
 FREE OPENING AREA OF CHIMNEY DAMPER**

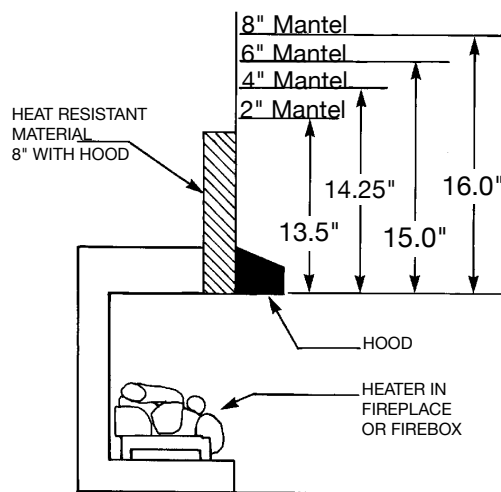
Chimney Height*(ft)	Appliance Input Rate (BTU/hr)		
	20	30	40
	<b>Minimum Opening** (sq. in.)</b>		
10	11.3	16.6	22.1
15	8.6	12.6	17.3
20	7.5	10.8	14.5
25	6.6	9.6	12.6
30	6.2	9.1	11.3
35	5.7	8.0	10.8
40	5.3	7.5	10.2

**MINIMUM DIMENSIONS FOR  
 SOLID FUEL BURNING FIREPLACES**

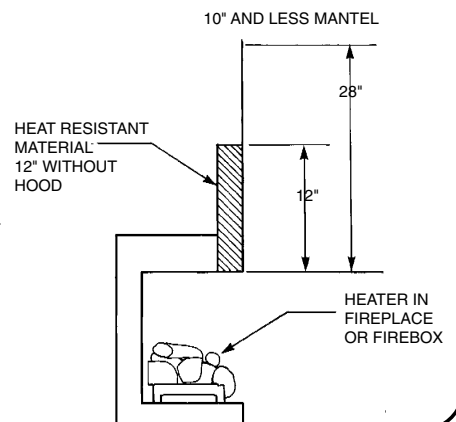
Model	A	B	C	D
VFSV-16	18"	11 1/2"	24"	18"
VFSR-16	18"	11 1/2"	24"	18"
VFSV-18	17"	14"	28"	17"
VFSR-18	17"	14"	28"	17"
VFSM-18	21"	14"	32"	17"
VFSV-24	23"	14"	30"	18"
VFSR-24	23"	14"	30"	18"
VFSM-24	27"	14"	34"	18"
VFSV-30	26"	14"	34"	20"
VFSR-30	26"	14"	34"	20"
VFSM-30	30"	14"	38"	20"

\* Height is from hearth to top of chimney and the minimum height is 10 feet.  
 \*\* Chart shows minimum opening (sq. in.) for given height and input rate.

**Mantel Clearances with Hood**



**Mantel Clearances without Hood**



**MANTEL CLEARANCES  
 Sidewall & Ceiling Clearances**

