



**Empire Comfort Systems Inc.**  
 918 Freeburg Avenue  
 Belleville, Illinois 62220-2623

Web Site [www.empirecomfort.com](http://www.empirecomfort.com)

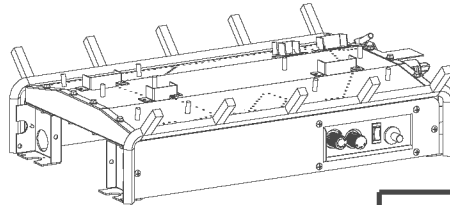
**Specifications**

Model	Valve Type	BTUH Max. Rate	BTUH Min. Rate
VFSUR-18 N/LP	Millivolt	35,000	24,500
VFSUR-24 N/LP	Millivolt	38,000	26,500
VFSUR-30 N/LP	Millivolt	40,000	28,000

<b>Natural Gas</b>	<b>Millivolt</b>
Regulator pressure	3.5" W.C.
Gas inlet pressure	Max. 10.5" W.C. Min. 5.0" W.C.
<b>Propane Gas</b>	<b>Millivolt</b>
Regulator pressure	10.0" W.C.
Gas inlet pressure	Max. 13.0" W.C. Min. 11.0" W.C.



**White Mountain  
 Vented/Vent-Free Vista Slope Glaze  
 Multi-Sided Gas Burners  
 Models  
 VFSUR-18, VFSUR-24, VFSUR-30**



**FACTORY BUILT FIREPLACES  
 FREE OPENING AREA OF CHIMNEY DAMPER**

Chimney Height* (ft)	Appliance Input Rate (BTU/hr)		
	20	30	40
	<b>Minimum Opening** (sq. in.)</b>		
10	11.3	16.6	22.1
15	8.6	12.6	17.3
20	7.5	10.8	14.5
25	6.6	9.6	12.6
30	6.2	9.1	11.3
35	5.7	8.0	10.8
40	5.3	7.5	10.2

\* Height is from hearth to top of chimney and the minimum height is 10 feet.

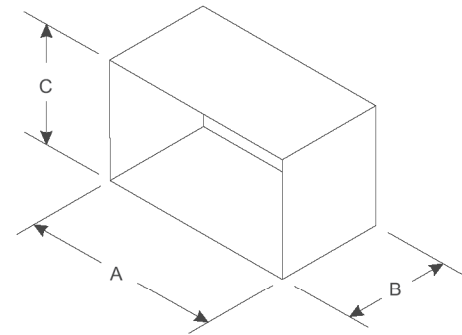
\*\* Chart shows minimum opening (sq. in.) for given height and input rate.

**FOR MASONRY BUILT FIREPLACES  
 FREE OPENING AREA OF CHIMNEY DAMPER**

Chimney Height* (ft)	Appliance Input Rate (BTU/hr)		
	20	30	40
	<b>Minimum Opening** (sq. in.)</b>		
6	17.6	25.7	33.8
8	16.5	23.7	31.2
10	15.1	21.7	28.7
15	14.1	19.9	26.1
20	12.9	18.5	23.7
30	12.2	16.9	21.6

\* Height is from hearth to top of chimney and the minimum height is 6 feet.

\*\* Chart shows minimum opening (sq. in.) for given height and input rate.

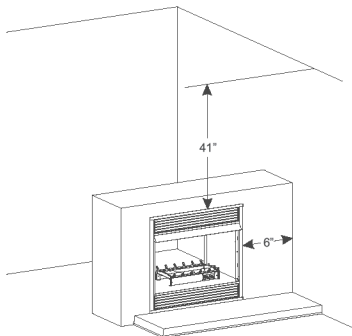


MINIMUM DIMENSIONS FOR SOLID FUEL BURNING FIREPLACES

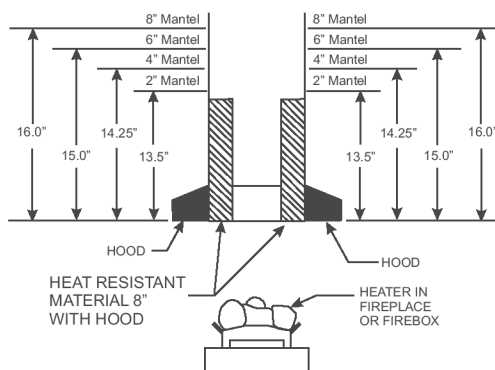
Model	A	B	C
VFSUR18	22	20	17
VFSUR24	28	22	18
VFSUR30	32	22	18

**MANTEL CLEARANCES**

**Sidewall & Ceiling Clearances**



**Mantel Clearances with Hood**



**Mantel Clearances without Hood**

