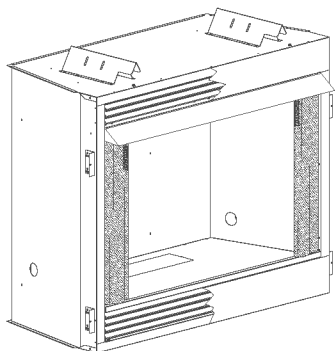




Empire Comfort Systems
 918 Freeburg Avenue
 Belleville, Illinois 62220-2623

Web Site www.empirecomfort.com



Breckenridge Premium Vent-Free Universal Fireboxes Model

VFP36FB2CF, VFP36FB2CL, VFP36FB2DF,

VFP36FB2DL, VFP36FB2EF, VFP36FB2EL

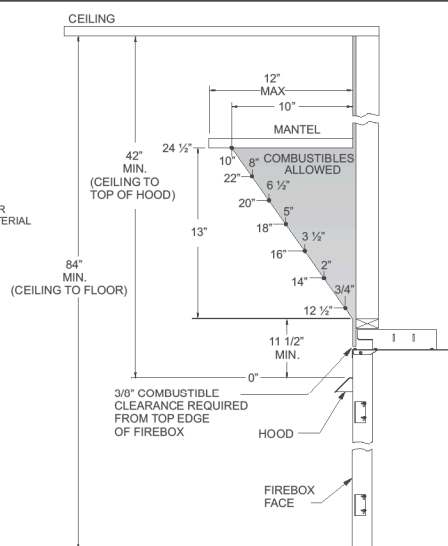
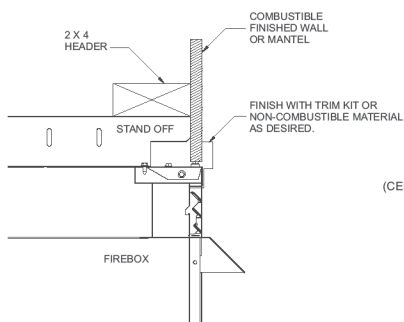
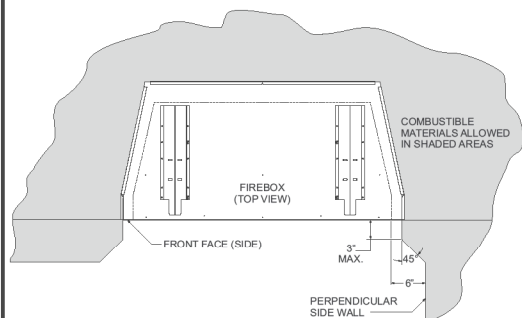
36-inch Firebox accommodates the following Log Sets:

Refractory Log Set: LS-24RAO, LS-24RS, LS-24RSS, LS-24P, LS-30P

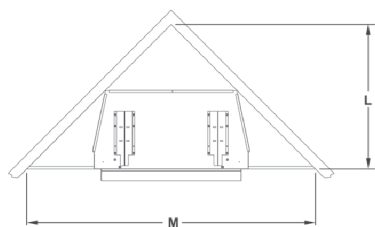
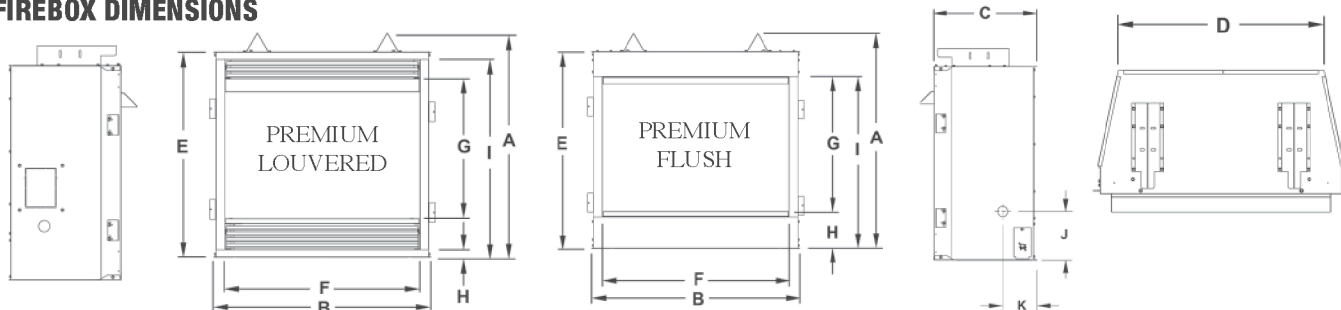
Ceramic Fiber Log Set: LS-24H, LS-30H, LS-24B2, LS-30B2, LS-24C2, LS-30C2, LS-24C2S, LS-30C2S

All Brick Liners are made from Ceramic Fiber for rich detail and lasting beauty. Aged Brick Liners have brown bricks with charcoal mortar in running bond courses, plus smoked accents. Traditional Liners have burnt umber bricks with light gray mortar, in running bond courses. Banded Brick Liners have dark "creamed-coffee" bricks with charcoal mortar in running bond courses, plus an accent band of diagonal bricks.

CLEARANCES TO COMBUSTIBLES

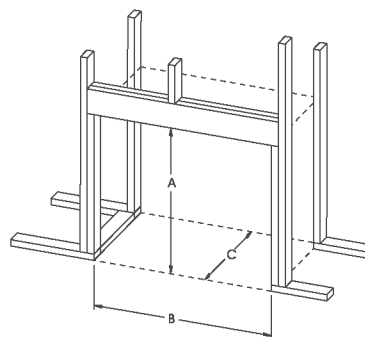


FIREBOX DIMENSIONS



VFP36FB		
	Louvered	Flush
A	41 1/8"	41 1/8"
B	39 1/2"	39 1/2"
C	21 7/16"	21 7/16"
D	32 1/4"	32 1/4"
E	38 1/2"	38 1/2"
F	36"	36"
G	27 13/16"	27 13/16"
H	1 1/4"	6 1/8"
I	37"	34"
J	8 3/8"	8 3/8"
K	5 5/8"	5 5/8"
L	39 1/2"	37 1/2"
M	78 15/16"	74 13/16"

FRAMING DIMENSIONS



VFP36FB	
A	41 1/2"
B	40"
C	21"