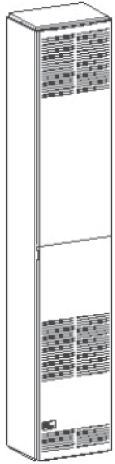




Empire Comfort Systems Inc.
 918 Freeburg Avenue
 Belleville, Illinois 62220-2623

Web Site www.empirecomfort.com



Direct-Vent Counterflow Wall Furnace

Models
DV-55SPP
DV-55IP



Specifications

Model	DV-55SPP	DV-55IP
Input BTU/HR	55,000	55,000
Height	82 3/8"	82 3/8"
Width	16"	16"
Depth	11 1/2"	11 1/2"
Gas Inlet	1/2" Pipe	1/2" Pipe
CFM	400	400
Accessories		
SOR-1	Register, Side Outlet	
SOK-1	Side Outlet Kit, 10" Boot Assembly w/Register	
DV-822	Vinyl Siding Vent Kit	

CLEARANCES

1. In selecting a location for installation, it is necessary to provide adequate accessibility clearances for servicing and proper installation.
2. The DV-55 minimum wall depth is 4 1/2 inches and maximum wall depth is 13 inches. The use of tubes not supplied by the manufacturer results in unsatisfactory performance.
3. The DV-55 can be attached to the wall or recessed into the wall up to 4 inches in depth but the minimum 4 1/2 inches vent/air intake system wall depth must be maintained. Example: If furnace is recessed into the wall at a depth of 4 inches, the minimum wall depth must be 8 1/2 inches.
4. The wall in which the furnace is recessed has (0) zero clearance to the furnace sides and top.
5. When using side discharge registers, SOR-1 or SOK-1, the furnace cannot be recessed into the wall.
6. Clearance to sidewall or combustible material is 4 inches.
7. Ceiling clearance is 4 inches.
8. Floor and rear wall clearance is (0) zero inches.
9. Clearance of 18 inches is required to sidewall or combustible material when flush mounted SOR-1, side outlet register is used.
10. The minimum distance from the center of the vent cap to the nearest outside corner or obstruction is 24 inches.

The vent terminal of a direct vent appliance with an input over 50,000 BTU per hour shall be located at least 12 inches from any opening through which flue gases could enter a building. The bottom of the vent terminal and the air intake shall be located at least 12 inches above grade.

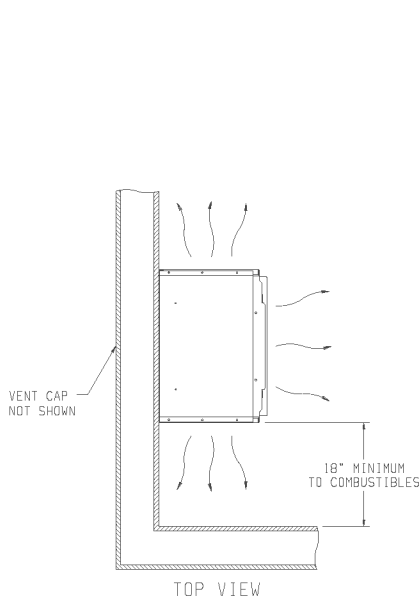


Figure 1

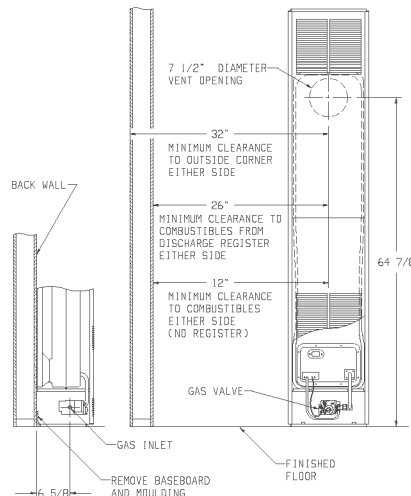


Figure 2

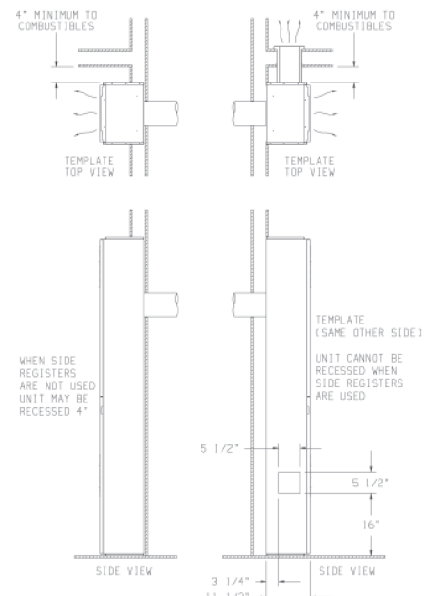


Figure 3