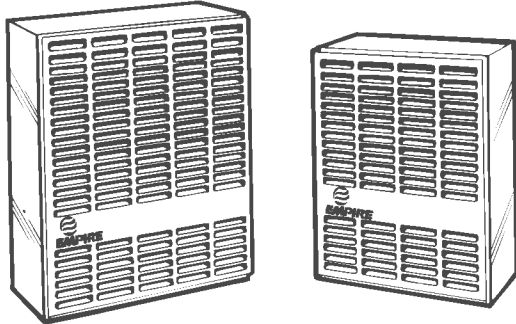




Empire Comfort Systems Inc.
 918 Freeburg Avenue
 Belleville, Illinois 62220-2623

Web Site www.empirecomfort.com

Direct-Vent Wall Furnace Models DV-210/DV-215



Specifications

Model	DV-210	DV-215
Input BTU/HR (KW/H)	10,000 (2.9)	15,000 (4.4)
Height	21 3/8" (543mm)	24 7/8" (632mm)
Width	16 1/4" (413mm)	20 1/4" (514mm)
Depth	9 3/8" (239mm)	9 3/8" (239mm)
Gas Inlet	1/2" (13mm)	1/2" (13mm)
Accessories for Above Furnaces		
Blower		DVB-1
Wireless Remote Wall Thermostat		TRW
Vinyl Siding Vent Kit		DV-822

CLEARANCES (Figure 1)

- In selecting a location for installation, it is necessary to provide adequate accessibility clearances for servicing and proper installation.
- Although certified for 0 clearance to the floor, the unit is held in place by a wall bracket. Enough clearance [2" (51mm) suggested] to allow changing or adding floor covering is recommended. Other clearances to combustible construction: Sides 1" (25mm) and 12" (305mm) from the top.
- Note the position of the vent relative to the center of the unit. The DV-210 has the vent in the center. The DV-215 vent is 2" (51mm) off center to the right.
- The minimum distance from the center of the outside vent to the nearest outside corner or obstruction is 16" (406mm).
- The DV-210/DV-215 minimum wall depth is 4 1/2" (114mm) and maximum wall depth is 13" (330mm). The use of tubes not supplied by the manufacturer result in unsatisfactory performance.**

The vent terminal of a direct vent appliance, with an input of 10,000 Btu per hour (3 kW) or less shall be located at least 6" (150mm) from any air opening into a building, and such an appliance with an input over 10,000 Btu per hour (3 kW) but not over 50,000 Btu per hour (14.7 kW) shall be installed with a 9" (229mm) vent terminal clearance and the bottom of the vent terminal and the air intake shall be located at least 12" (305mm) above grade.

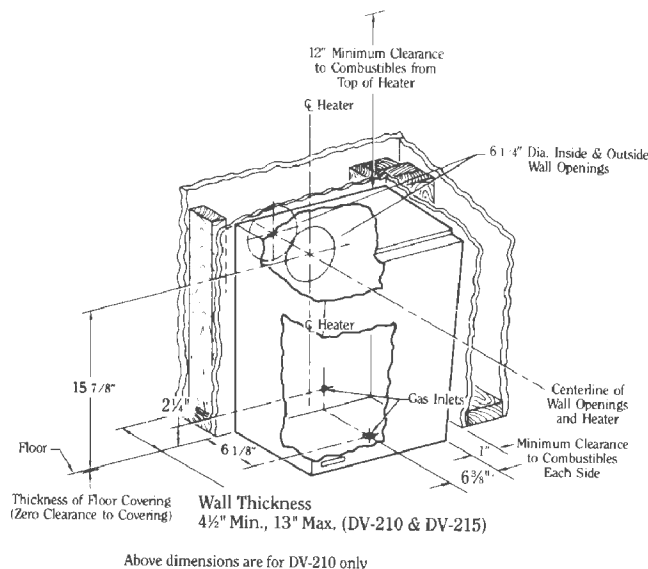
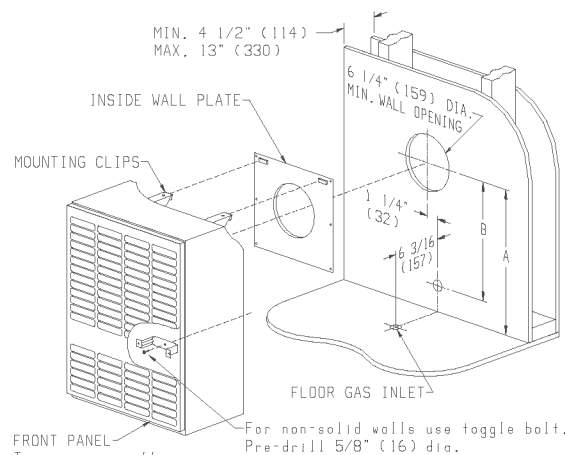


Figure 1

Locating Wall Opening



FRONT PANEL
 To remove - pull out at bottom and lift up. Catch at the bottom of inner-casing can be adjusted for proper fit.

	DV-210	DV-215
A	*15 7/8" (403)	*19 3/8" (492)
B	13 1/4" (337)	16 3/4" (425)

* Add distance above floor. inch (mm)

Figure 2